

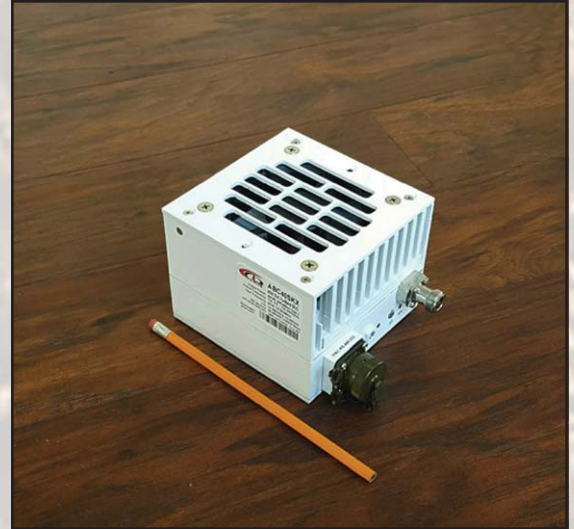


50W Ext. Ku-Band Block Up Converter

KEY FEATURES

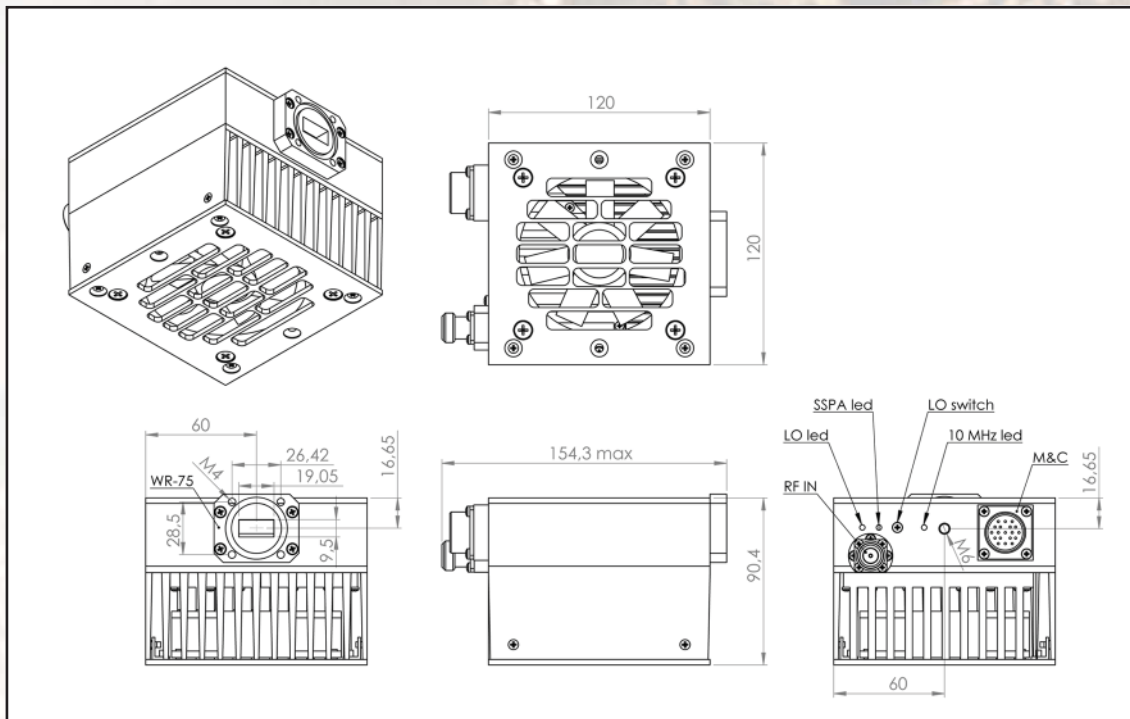
- ◆ Output frequency 13.75-14.50 GHz
- ◆ Double- L.O. (switchable 12.80 & 13.05 GHz)
- ◆ Based on GaN technology which enables high efficiency, low power consumption and high reliability
- ◆ Incomparable low power consumption (197 W max.)
- ◆ Auto-ranging powering option 30 - 60 VDC
- ◆ Extreme P-Out GaN linearity (47 dBm)
- ◆ Digital temperature compensation
- ◆ Field-exchangeable (F/N) IF connector
- ◆ Internal auto-sensing and controllable 10MHz high stability reference
- ◆ Built-in redundancy option
- ◆ M&C - combined RS-232/485 and optional FSK
- ◆ Ethernet control (HTTP and SNMP ver. 2 and 3)
- ◆ RoHS compliant

ABC50SKX / ABC50SKXF



This smallest and lightest 50W L-To Ku-Band Block Up Converter is based on GaN technology. Incomparable low power consumption, double L.O., field-exchangeable connector, auto-sensing and controllable internal 10 MHz reference make this unit universal for any Ku-Band application. M&C (FSK) capability enables troubleshooting, monitoring and controlling the BUC.

Mechanical Drawing





50W Ext. Ku-Band Block Up Converter

TECHNICAL SPECIFICATIONS	
RF frequency	14.00 to 14.50 GHz 13.75 to 14.50 GHz
Dual local oscillator	13.05 GHz and 12.80 GHz
IF frequency	950 to 1,700 MHz
Output power	50W (+47 dBm min.), 25W (44 dBm) Linear
IF connector	N-type or F-type (field-exchangeable)
Power supply auto-ranging	30 ~ 60 VDC via IF cable, 197 W max.
Output interface	WR-75 G
Gain	67 dB min., 70 dB nominal
IMD3 (3dB back off rated output power)	-26 dBc max. 2 signal 5 MHz apart at P-LINEAR
L.O. leakage	-45 dBm max
Spurious	-53 dBc max
Spectral regrowth (QPSK at 1.5x and OQPSK at 1.0x symbol rate offset with 2dB back-off from rated output power)	-30 dBc
Requirement for external reference: frequency input power	via IF cable 10 MHz (sine-wave) -5 to +5 dBm @ input port
TX Gain variation	± 0.5 dB over 40 MHz ± 1.8 dB over full band
TX Gain stability over temperature range	± 1.5 dB typ., ± 1.8 dB max.
Phase noise (Exceeds Intelsat's standard IESS308/309)	-55 dBc/Hz max. @ 10 Hz -65 dBc/Hz max. @ 100 Hz -75 dBc/Hz max. @ 1 KHz -85 dBc/Hz max. @ 10 KHz -95 dBc/Hz max @ 100 KHz -115 dBc/Hz max @ 1 MHz
Noise power density	Transmit -66 dBm/Hz (max) Receive -157 dBm/Hz (max)
Noise figure	15 dB max
Input V.S.W.R.	1.5 : 1 max
Output V.S.W.R.	1.5 : 1 max.
M&C	RS-232 and RS-485, Ethernet (HTTP and SNMP), FSK
Mute	Shut off the HPA if L.O. unlocked
Status LED Amplifier L.O. 10 MHz	RED GREEN YELLOW YELLOW blinking GREEN GREEN blinking RED Summary alarm All OK All OK standard L.O. 13.05 GHz All OK extended L.O. 12.80 GHz External 10MHz reference Internal 10MHz reference No 10MHz reference detected
Temperature range (ambient) operating storage	-40 deg C to +55 deg C -55 deg C to +85 deg C
Vibration and shock	Complies with MIL-STD-810E
Dimensions & housing	120 (L) x 120 (W) x 90.4 (H) mm 4.72" (L) x 4.72" (W) x 3.61" (H)
Weight	1.8 kg (4.0 lbs) max